



R4 Range

Available models:

- Capacity from 300 kg to 3000 kg.
- Dimensions of the platform :
 - 800 x 800
 - 1000 x 800
 - 1250 x 1000
 - 1250 x 1500
 - 1500 x 1500
 - 2000 x 1500

Semi Special :

The R4 range is designed so that dimensions can be changed in steps of 50 mm.

To create your own platform :

-Eg : (1100 x 1450 mm) or (850 x 950 mm) or (1350 x 1600 mm)

All models are available in standard and stainless steel versions .

Application

The R4 platform scales are specially designed for intensive use and are equipped with 4 shear beam load cells for optimum reliability and accuracy. They can be used placed on the ground or pit mounted.

The new infrastructure technology reinforces the mechanical strength while reducing the weight compared with a conventional structure.

The simplified design of R4 enables maintenance and servicing by a single person or an instrument in or outside the pit (load cells are accessible without removing the platform).

- STD version (standard)
 - 4 load cells made of nickel steel (IP 67 protection),
- TI version (stainless steel)
 - 4 all stainless steel load cells (IP 67 protection),
 - all 304L stainless steel structure.

This model is protected according to IP 67 (dust tight to water jets), and is ideal to satisfy hygiene and cleanliness requirements of the food processing, chemicals and pharmaceuticals industries.

The R4 range platform scales may be used in combination with many indicators in the PRECIA-MOLEN range for trade (3000 e or 2x3000 e) or non trade applications.

European conformity

Compliant with the definition of a conventional load receptor in accordance with the guide WELMEC 2.4.

Scope of supply

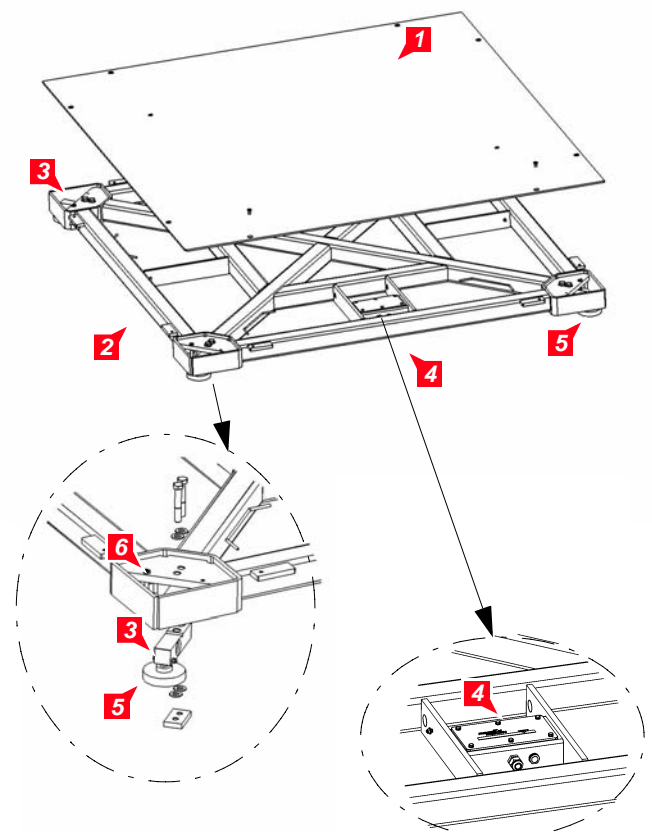
The R4 range platform scales are delivered with a 6 m cable for connection to the associated indicator.

Ex Option

Ex version* for use in gas and dusty explosive zones according to the new 94/09/CE directive.

* Stainless steel version only.

General presentation



1. Painted platform (STD models) or stainless steel platform (TI models)
2. Platform structure
3. Load cells
4. Junction box
5. Level adjusting feet
6. Overload stop

Physical characteristics

Model L x w (mm)	Height			Feet centers (mm)	Weight		Empty tare	
	min.	nom.	max.		300-1500 kg	3 t	300-1500 kg	3 t
800 x 800	95 mm	97 mm	99 mm	697 x 697 mm	81 kg	81 kg	68 kg	68 kg
1000 x 800	95 mm	97 mm	99 mm	897 x 697 mm	92 kg	92 kg	79 kg	79 kg
1250 x 1000	95 mm	97 mm	99 mm	1 147 x 897 mm	122 kg	129 kg	116 kg	123 kg
1500 x 1250	95 mm	97 mm	99 mm	1 397 x 1 147 mm	175 kg	189 kg	169 kg	183 kg
1500 x 1500	95 mm	97 mm	99 mm	1 397 x 1 397 mm	199 kg	210 kg	193 kg	204 kg
2000 x 1500	95 mm	97 mm	99 mm	1 897 x 1 397 mm	264 kg	270 kg	258 kg	264 kg

Metrological Characteristics (Trade Use)

Model L x w (mm)	Capacity	Increment	Max. tare offset	STD version load cells			TI version load cells		
				Model	E max	V min	Model	E max	V min
800 x 800	300 kg	100 g	600 kg	CMA-S	250 kg	25 g	CSI	300 kg	30 g
	600 kg	200 g	1300 kg	CMA-S	500 kg	50 g	CSI	500 kg	50 g
	1500 kg	500 g	1500 kg	CMA-S	1000 kg	100 g	CSI	1000 kg	100 g
	3000 kg	1 kg	746 kg	CSI	2000 kg	200 g	CSI	2000 kg	200 g
1000 x 800	300 kg	100 g	600 kg	CMA-S	250 kg	25 g	CSI	300 kg	30 g
	600 kg	200 g	1300 kg	CMA-S	500 kg	50 g	CSI	500 kg	50 g
	1500 kg	500 g	1500 kg	CMA-S	1000 kg	100 g	CSI	1000 kg	100 g
	3000 kg	1 kg	743 kg	CSI	2000 kg	200 g	CSI	2000 kg	200 g
1250 x 1000	300 kg	100 g	550 kg	CMA-S	250 kg	25 g	CSI	300 kg	30 g
	600 kg	200 g	1250 kg	CMA-S	500 kg	50 g	CSI	500 kg	50 g
	1500 kg	500 g	1500 kg	CMA-S	1000 kg	100 g	CSI	1000 kg	100 g
	3000 kg	1 kg	734 kg	CSI	2000 kg	200 g	CSI	2000 kg	200 g
1500 x 1250	300 kg	100 g	500 kg	CMA-S	250 kg	25 g	CSI	300 kg	30 g
	600 kg	200 g	1200 kg	CMA-S	500 kg	50 g	CSI	500 kg	50 g
	1500 kg	500 g	1500 kg	CMA-S	1000 kg	100 g	CSI	1000 kg	100 g
	3000 kg	1 kg	720 kg	CSI	2000 kg	200 g	CSI	2000 kg	200 g
1500 x 1500	300 kg	100 g	450 kg	CMA-S	250 kg	25 g	CSI	300 kg	30 g
	600 kg	200 g	1150 kg	CMA-S	500 kg	50 g	CSI	500 kg	50 g
	1500 kg	500 g	1500 kg	CMA-S	1000 kg	100 g	CSI	1000 kg	100 g
	3000 kg	1 kg	714 kg	CSI	2000 kg	200 g	CSI	2000 kg	200 g
2000 x 1500	300 kg	100 g	400 kg	CMA-S	250 kg	25 g	CSI	300 kg	30 g
	600 kg	200 g	1000 kg	CMA-S	500 kg	50 g	CSI	500 kg	50 g
	1500 kg	500 g	1500 kg	CMA-S	1000 kg	100 g	CSI	1000 kg	100 g
	3000 kg	1 kg	698 kg	CSI	2000 kg	200 g	CSI	2000 kg	200 g

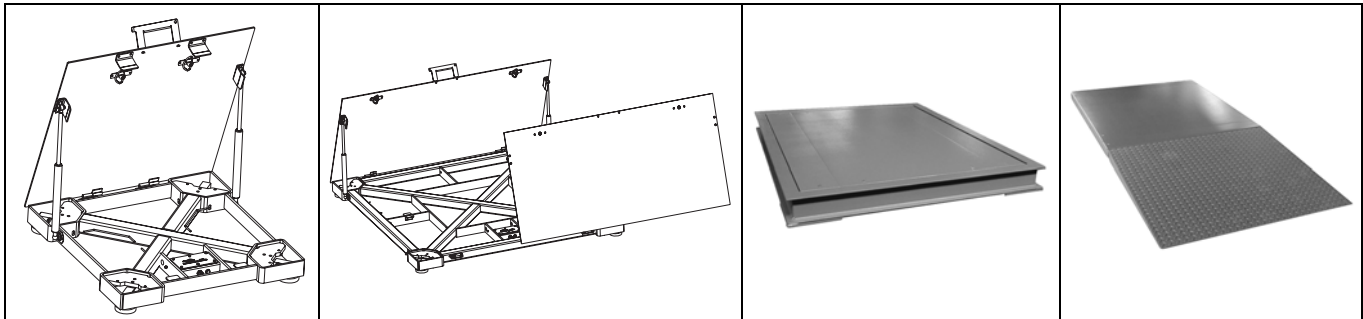
Options and Accessories

■ Lift up platform on jacks
from (800 x 800) to (1250 x 1000)

■ Lift up platform on jacks
from (1500 x 1250) to (2000 x 1500)

■ Painted steel or all stainless steel
frame pit

■ Steel or stainless steel loading
ramps



Your weighing specialist

Illustrations are not contractual. Precia-Molen reserves the right to modify at any time, without prior notice, the information contained in this leaflet.

Offices and Factory
P.O. Box 106 - F 07000 Privas - France
Tel. 33 (0) 475 664 600
Fax 33 (0) 475 658 330
E-MAIL webmaster@preciamolen.com

RCS : 386 620 165 RCS Aubenas

**PRECIA
MOLEN™**